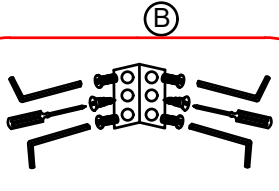
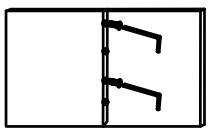
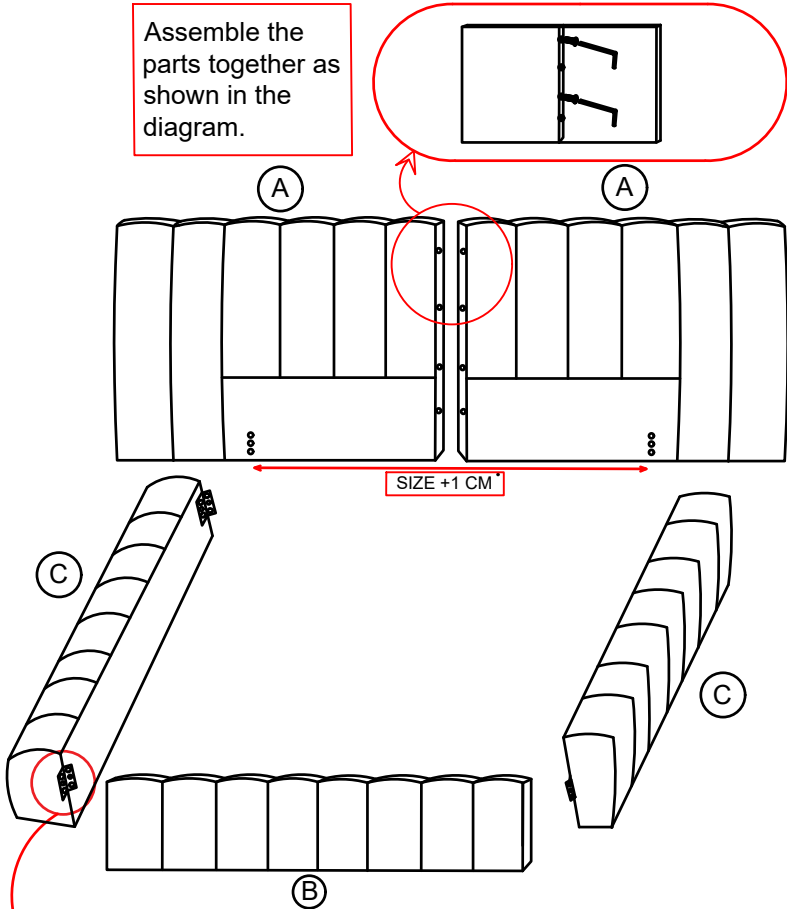


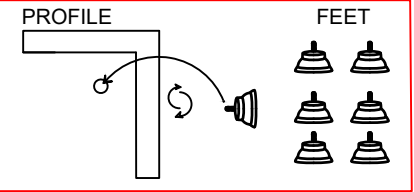
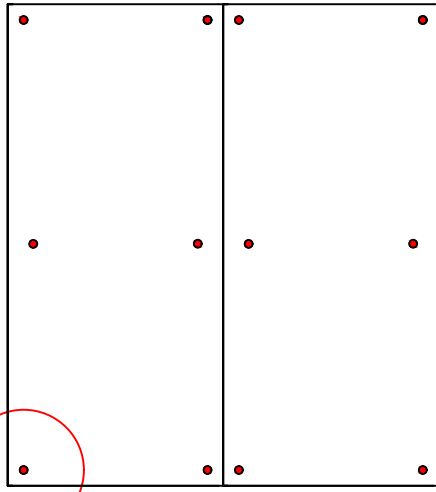
COZY ROYAL OPBERG BOX ASSEMBLY INSTRUCT

Assemble the parts together as shown in the diagram.

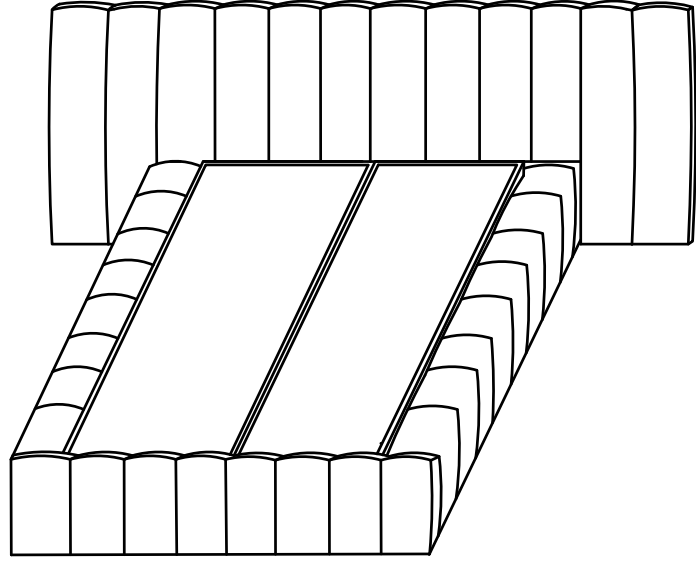


Assemble the parts together as shown in the diagram.

STAGE 2



Turn the Base upside down and fix it on a flat surface. Then, mount the feet in the mounting package to the profile.



Place the metal case inside the assembled product.

The installation is complete.

<p>(A) X2</p>	<p>(B) X1</p>	<p>(C) X2</p>	<p>X4</p>	<p>X2</p>	<p>X1</p>	<p>X8</p>	<p>X4</p>	<p>X12</p>
					<p>X1</p>	<p>X4</p>	<p>X16</p>	